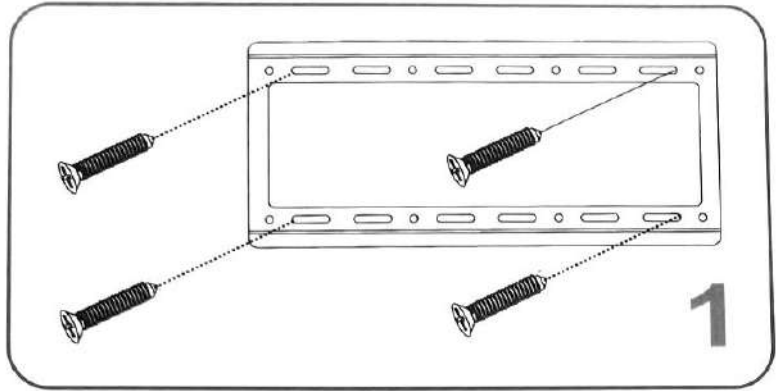
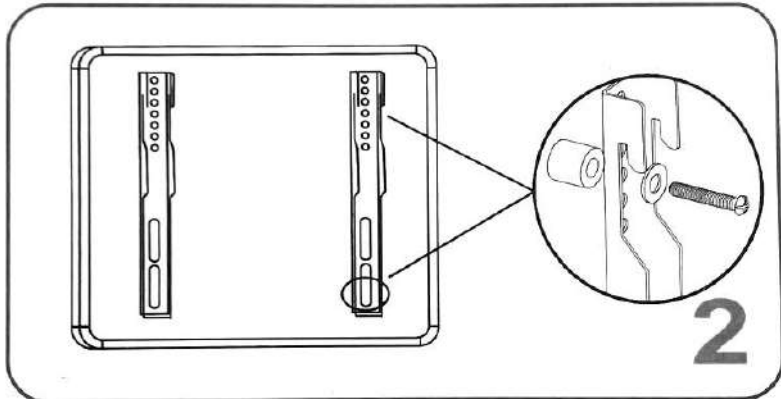


Av Point - Wall Mount Quick Manual

Place your bracket onto your chosen wall and screw into place. Ensure the screw placements are evenly wide apart and that it's not at an angle.



Take the two metal strips provided and screw them onto the back of the AV Screen. Ensure the screw placements are evenly wide apart. Use washers for a secure fit.



With the strips fitted to the back of your screen, hook into place along your wall. Insert the long screws near the bottom to secure in place.

